

DESCRIPTION:

AMC MODEL LVD-709804-50-7193141, OPTION: A02,A03,A07,SS IS A 0.5 TO 18 GHz, DC COUPLED DETECTOR LOG VIDEO AMPLIFIER FOR CONTINUOUS WAVE APPLICATIONS. IT INCLUDES TEMPERATURE SENSOR CIRCUITRY, EMI SHIELDING, AND IT IS ENVIRONMENTALLY SEALED.

SPECIFICATIONS:

- FREQUENCY: 0.5 - 18 GHz
- FREQUENCY FLATNESS: ±1.5dB MAX
- DYNAMIC RANGE: -37dB MIN
- VSWR: 3.0dB MAX
- LOG TEMPERATURE STABILITY: ±1.0dB MAX
- TSS: -37 dBm MAX
- LOGGING RANGE: 37 dB MIN
- LOGGING SLOPE (10%): 50mV/dB
- OVERALL LINEARITY (-35dBm TO +5dBm): ±1dB MAX
- VIDEO BANDWIDTH: <0.5MHz WITH A 100 OHM LOAD
- OUTPUT VOLTAGE: 0.0Vdc MIN, 5.0Vdc MAX
- POWER SUPPLY: +18 VDC @ 250 mA MAX
- RISE TIME 20nS MAX
- RECOVERY TIME: 300nS MAX
- PHYSICAL DIMENSIONS: 4.50 x 2.50 x 1.10 in.
- RF INPUT CONNECTOR: SMA FEMALE CONNECTOR
- VIDEO OUTPUT CONNECTOR: SMA FEMALE CONNECTOR
- POWER CONNECTOR: D38999/20WB5PN

OPTIONS

- A02- OPTIMIZED FOR 0.5-18.0GHz
- A03- FASTER RISE TIME, 20nS RISE
- A07- OTHER VIDEO LOADS, 0 TO 5VDC VIDEO
- SS- SINGLE POWER SUPPLY, +18VDC
- WR- SPECIAL FOR WARNER ROBINS BUT IN AMC STANDARD MECHANICAL OUTLINE

CONNECTOR PINOUT

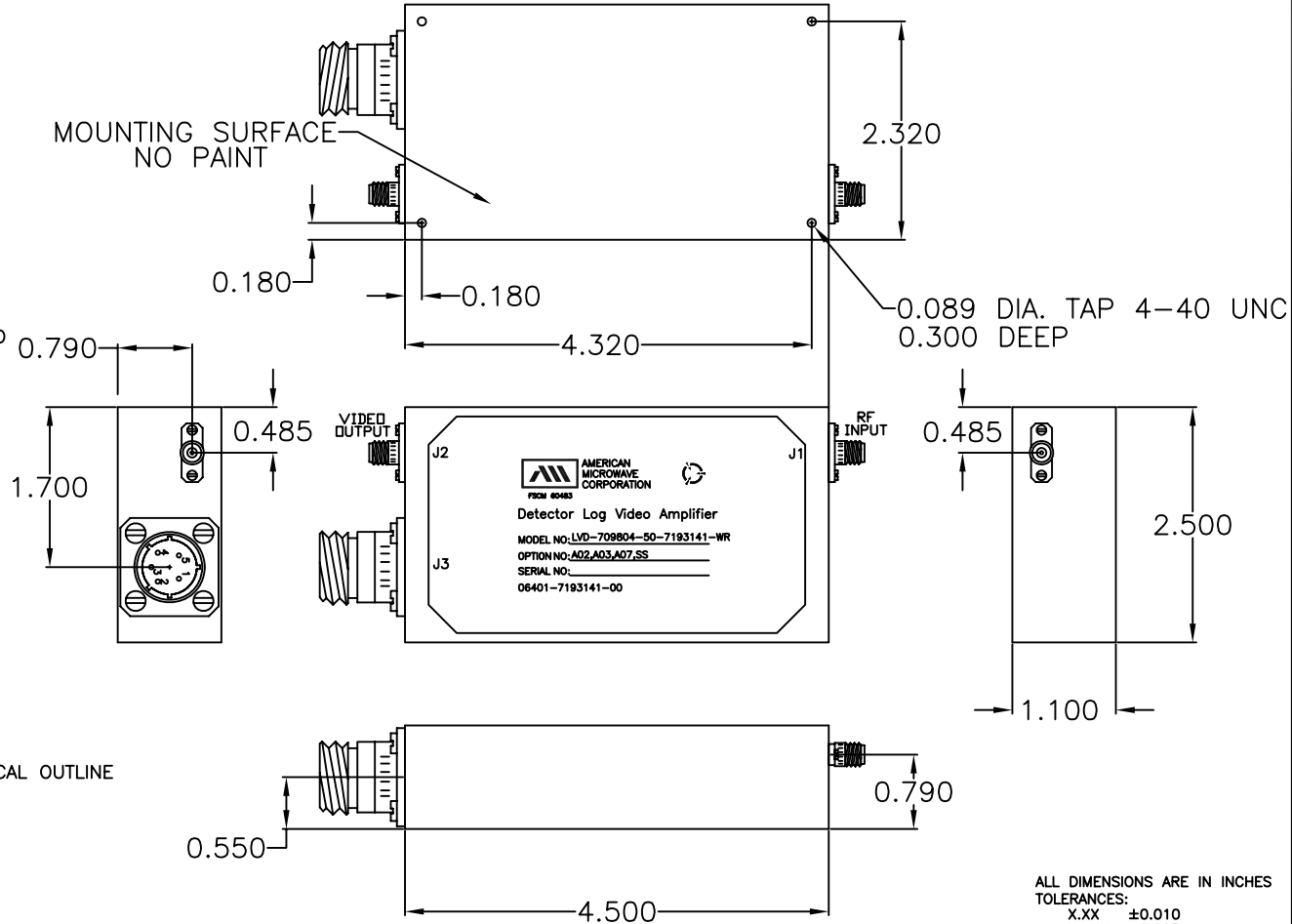
- J1 RF INPUT
- J2 VIDEO OUTPUT
- J3 - 1 +28 Vdc
- J3 - 2 +28 Vdc RTN
- J3 - 3 N/C
- J3 - 4 TEMPERATURE OUTPUT
- J3 - 5 TEMPERATURE RTN

ENVIRONMENTAL RATINGS:

- TEMPERATURE: -55°C TO +85°C (OPERATING)
-55°C TO +85°C (STORAGE)
- HUMIDITY: CAPABLE OF CONTINUOUS
OPERATION UP TO 100% HUMIDITY
- SHOCK: RTCA/DO-160D, PER SECTION 7.2 FIGURE 7.2
- VIBRATION: RTCA/DO-160D, PER FIGURE 8-1 AND TABLE 8-1
- ALTITUDE: 50000 Ft.
- TEMPERATURE CYCLE: MIL-STD-202F, METHOD 107D COND. A
- SALT SPRAY: RTCA/DO-160D, PER SECTION 14, CATEGORY S
- FUNGUS: RTCA/DO-160D, PER SECTION 13, CATEGORY F
- EXPLOSIVE ATMOSPHERE: RTCA/DO-160D, PER SECTION 9, CATEGORY F
- EMI/EMC: MIL-STD-461E (AIR FORCE LIMITS, AIRCRAFT EXTERNAL)
- POWER: MIL-STD-704E
- EXTERNAL FINISH: FED-STD-595, COLOR 27038

NOTE: THE ABOVE SPECIFICATIONS ARE SUBJECT TO CHANGE OR REVISION

REVISIONS				
ZONE	REV.	DESCRIPTION	DATE	APPROVED
	-	ORIGINAL RELEASE- JOB# 712228NE	12-18-07	
	A	SEE ECR# 08-006	1/16/08	
	B	SEE ECR# 08-056	8/6/08	



ALL DIMENSIONS ARE IN INCHES
TOLERANCES:
X.XX ±0.010
X.XXX ±0.005

AMERICAN MICROWAVE CORPORATION

7311-G GROVE ROAD
FREDERICK, MARYLAND 21704 USA
TEL: 301-662-4700 FAX: 301-662-4938
WEBSITE: www.americannmicrowavecorp.com
E-MAIL: sales@americannmicrowavecorp.com
ISO 9001:2000 CERTIFIED



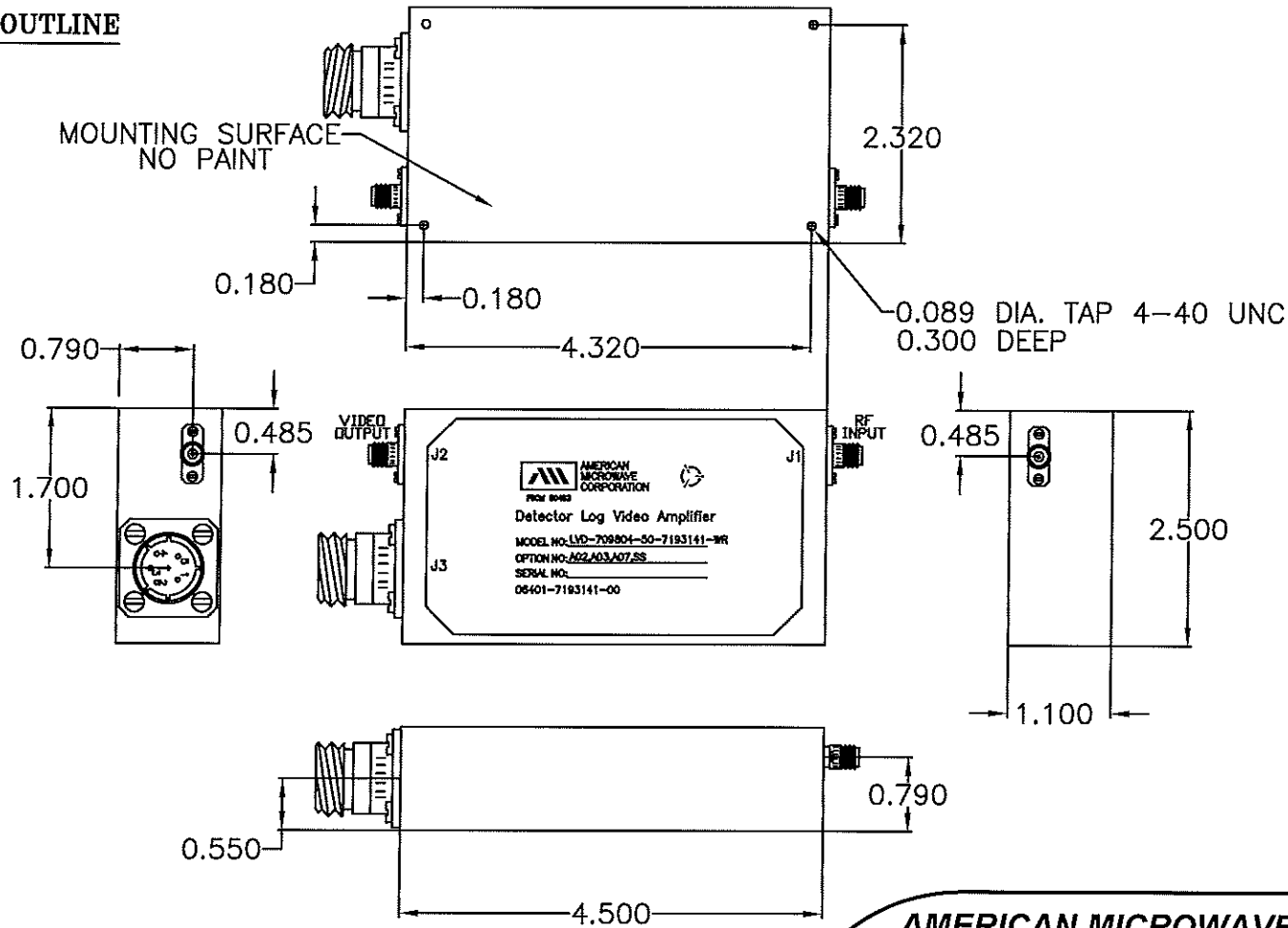
APPROVALS		DATE	TITLE			
DRAWN <i>JKM</i>		3/9/04	PRODUCT FEATURE LVD-709804-50-7193141-WR OPTION: A02,A03,A07,SS			
CHECKED			SIZE A	FSCM NO. 60483	DWG NO. 100-6883-1	REV. B
ISSUED			SCALE N:S		SHEET 1 OF 3	

DESCRIPTION:

AMC MODEL LVD-709804-50-7193141, OPTION: A02,A03,A07,SS IS A 0.5 TO 18 GHz, DC COUPLED DETECTOR LOG VIDEO AMPLIFIER FOR CONTINUOUS WAVE APPLICATIONS. IT INCLUDES TEMPERATURE SENSOR CIRCUITRY, EMI SHIELDING, AND IT IS ENVIRONMENTALLY SEALED.

REVISIONS				
ZONE	REV.	DESCRIPTION	DATE	APPROVED
-	-	ORIGINAL RELEASE- JOB# 712228NE	12-18-07	
A		SEE ECR# 08-006	1/16/08	
B		SEE ECR# 08-056	8/8/06	<i>UA</i>

MECHANICAL OUTLINE



CONNECTOR PINOUT

- J1 RF INPUT
- J2 VIDEO OUTPUT
- J3 - 1 +28 Vdc
- J3 - 2 +28 Vdc RTN
- J3 - 3 N/C
- J3 - 4 TEMPERATURE OUTPUT
- J3 - 5 TEMPERATURE RTN

ALL DIMENSIONS ARE IN INCHES
 TOLERANCES:
 X.XX ±0.010
 X.XXX ±0.005

AMERICAN MICROWAVE CORPORATION

7311-G GROVE ROAD
 FREDERICK, MARYLAND 21704 USA
 TEL: 301-662-4700 FAX: 301-662-4938
 WEBSITE: www.americamicrowavecorp.com
 E-MAIL: sales@americamicrowavecorp.com
 ISO 9001:2000 CERTIFIED



APPROVALS		DATE	TITLE			REV.
DRAWN	<i>JRM</i>	5/3/04	MECHANICAL OUTLINE			
CHECKED	<i>JA</i>	7/9/09	LVD-709804-50-7193141-WR			
ISSUED			OPTION: A02,A03,A07,SS			
SIZE	FSCM NO.	DWG NO.				
A	60483	100-6883-1				B
SCALE N:S			SHEET 2 OF 3			